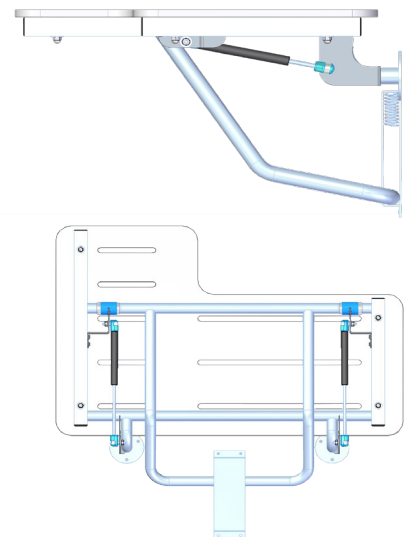


# **SLOWER SAFER BETTER**



## **FEATURES:**

- **New safe and easy controlled lowering**
- **Heavy duty built in gas struts**
- **Quiet operation**
- **Supports 500 lbs and meets ADA specifications when properly installed**
- **All exposed metal components are type 304 stainless steel with a satin finish**
- **Solid white phenolic seat with black edges and slots for water drainage and slip resistance**
- **Field reversible for left or right hand**



ASI's Slow Close Phenolic L-Shaped Fold Up Shower Seat provides added safety and ease of use.

Gas charged struts assist one handed opening by allowing the slowly lowering seat to its operating position and also assists in partial closing. Guide brackets with a spring detent prevents the seat from dropping and provides positive support while in use, as well as spring locking in its storage position.

American Specialties, Inc.  
441 Saw Mill River Rd, Yonkers, NY 10701  
Tel: 914.476.9000 Fax: 914.476.0688  
E-mail: [info@americanspecialties.com](mailto:info@americanspecialties.com)  
Web: [americanspecialties.com](http://americanspecialties.com)

**ASI** Group  
Integrated Building Products

© 2019 American Specialties Inc., an ASI Group Company